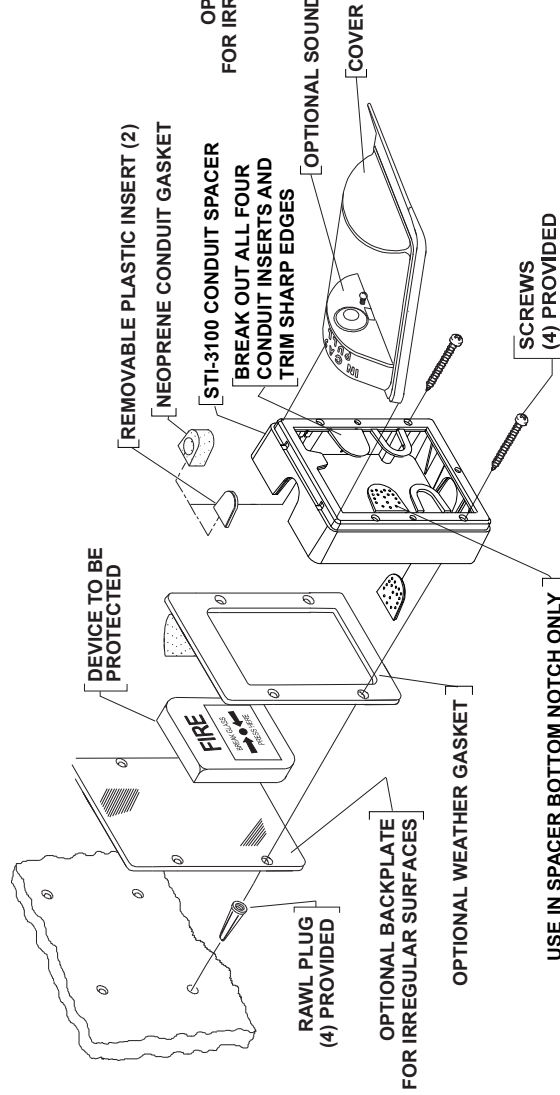


STOPPER II

Physically larger than the Stopper, the Stopper II is a unique device which has been helping prevent false fire alarms around the world for decades, without restricting legitimate operation of devices such as fire alarm break glass call points. It consists of a clear, tamper-proof, tough polycarbonate cover and frame that fits over the device to be protected. When lifted to gain access to the device, its optional battery powered integral sounder emits a piercing 120 dB. Immediate attention is drawn to the area and a prankster will either run or be caught. To extend the life and reliability of large weather exposed devices refer to the STI-1250/STI-3150 Weather Stopper II.

Installation Data for the STI-1200, 1230, 1100 & 1130

1. Position the Stopper II frame centrally over the device to be protected. Mark the position for the four fixing screws.
2. Drill the holes, using a 7mm masonry drill bit and secure the frame to the wall with the wall fixings provided.
3. Set the activation switch (on those fitted with an integral sounder) on the alarm unit by moving it to the left position and fit the cover to the frame. A lock out screw is provided and should be retained to silence the alarm in the event any maintenance work needs to be carried out on the call point.
4. The surface spacer provides cable entry facilities for conduit, cable and trunking. A 50mm depth spacer is supplied as standard.
5. To replace the 9V PP3 battery in the alarm unit. Lift the cover and silence the alarm with the de-activation switch. Undo the screw securing the alarm unit to the cover. Uncolp the old battery and discard. Refit with equivalent replacement (STI Part No. BAT 9VDC) and secure the alarm unit to the cover.



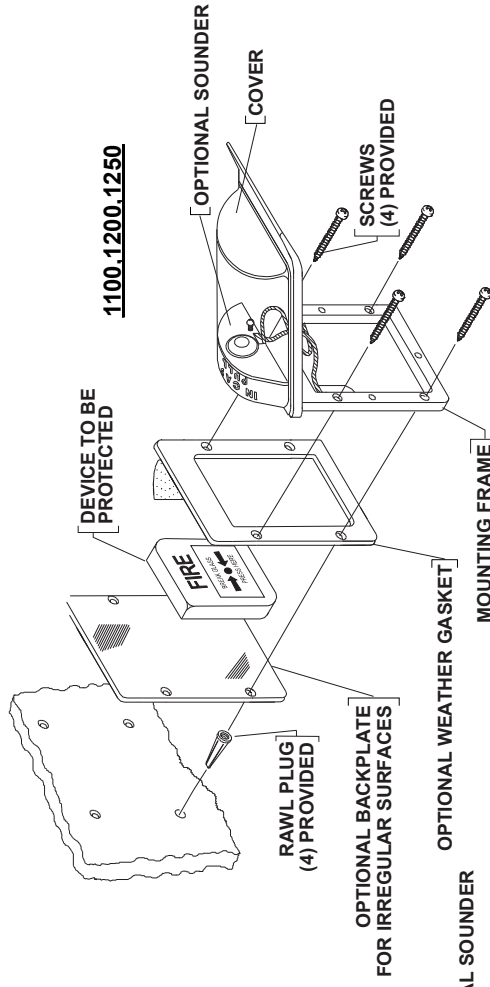
1130,1230,3150

WEATHER STOPPER II

Physically larger than the Weather Stopper, the Weather Stopper II is a protective cover that is ideal for extending the life and reliability of larger weather exposed devices, such as manual call points. It offers protection against harsh environments and conditions both outside and inside, as well as preventing tampering, vandalism and damage from accidental operation.

Installation Data for the STI-1250 & 3150

1. Position the Weather Stopper II frame over the device to be protected. Mark the positioning of the four fixing holes.
2. Drill the holes, using a 7mm masonry drill bit.
3. Position the weather gasket over the device. Secure the Weather Stopper II frame over the gasket with the screws provided.
4. For surface installations, use the inserts attached to the spacer to blank off any unused cable entry holes. Select and install the appropriate cable gasket for the wiring system installed. Position gasket around the cable or conduit. The securing of the spacer to the wall will compress the gaskets and seal the unit. Blank gaskets can be supplied and modified on site.



STI-3002	Weather Gasket Set
STI-3100	50mm Spacer
STI-1280	Backplate (for irregular surfaces)
STI-TS	Breakable Seals (pack of 10)



Safety Technology International
Taylor House, 34 Sherwood Road, Bromsgrove
Worcestershire, B60 3DR, England
Tel: +44(0) 1527 520 999 Fax: +44 (0) 1527 501 999
Email: info@sti-emea.com Web: www.sti-emea.com



Installation Tools Required
1. 7mm masonry drill bit
2. Phillips head screwdriver

ID1100 & ID1250 Series - Revised 02/17 - Printed in England

Need help? Call our Technical Support Team on +44 (0)1527 520 999